

Wireless Module
***Bluetooth Smart* Module**
EYSFCNZXX
Overview

Dec. 25, 2013 Version 1.0

Bluetooth® Smart Module: EYSFCNZXX

Features

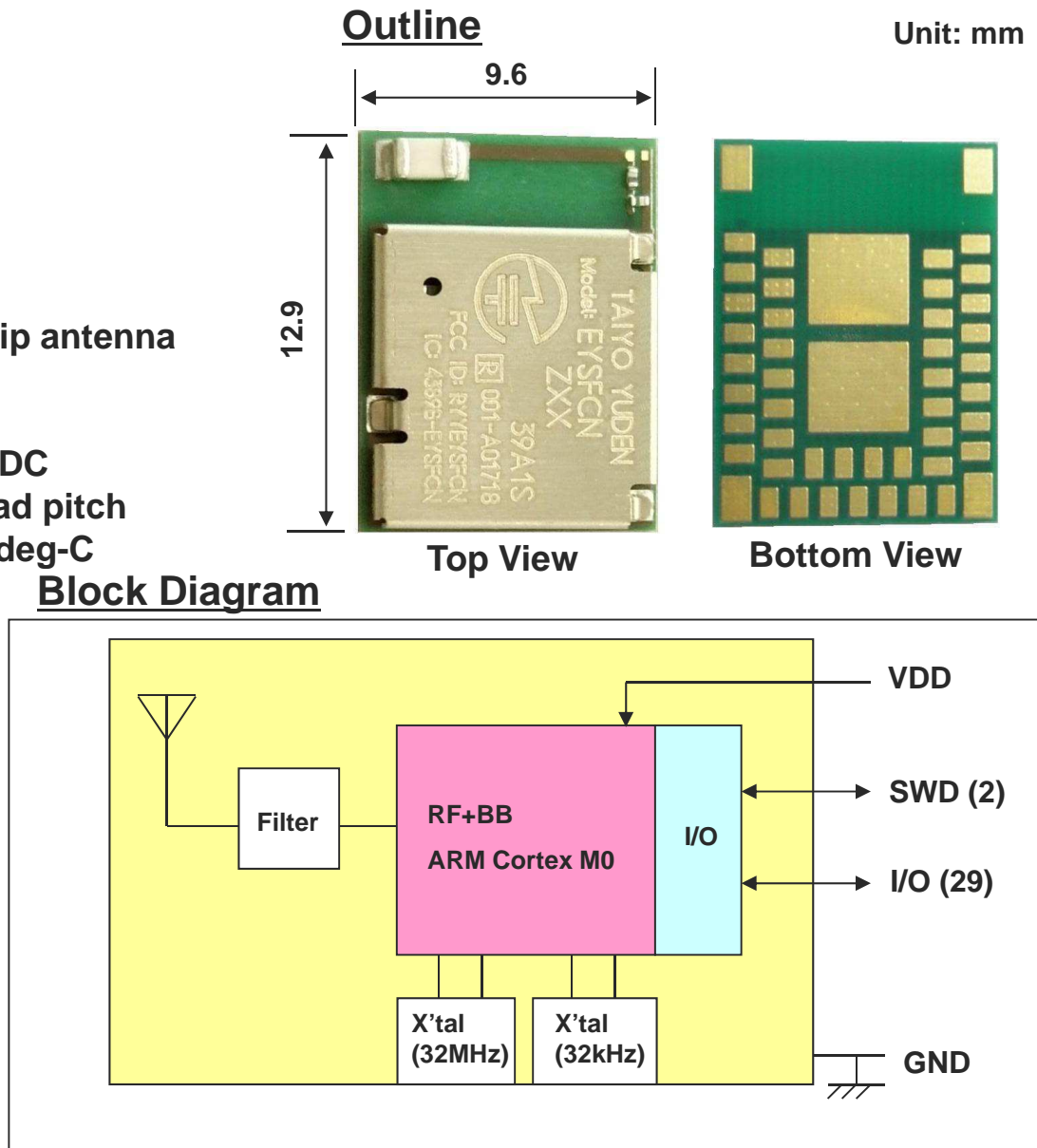
- Frequency: 2402 to 2480 MHz
- Output power: +4dBm typ.
- Single power supply: 1.8 – 3.6V
- Single Mode Bluetooth Smart Slave
- Chip: nRF51822 (Nordic)
- Integrated System/Sleep Clock
- Integrated high performance ceramic chip antenna
- ARM Cortex M0** 32bit processor
- 256KB flash and 16KB RAM**
- Interface: SPI, UART, I2C and 8/9/10bit ADC
- Outline: **9.6 x 12.9 x 2.0** mm with **1mm** pad pitch
- Operating Temperature range: -20 to 75 deg-C
- Bluetooth and Japan, FCC, IC qualified
- RoHS compliant / Complete Lead Free

Applications

- Cycle computer
- Heart rate monitor
- Blood pressure monitor
- Blood glucose meter
- Weighing machine
- Thermometer
- Mobile accessories
- Sports and fitness sensors
- Remote controllers
- Toys

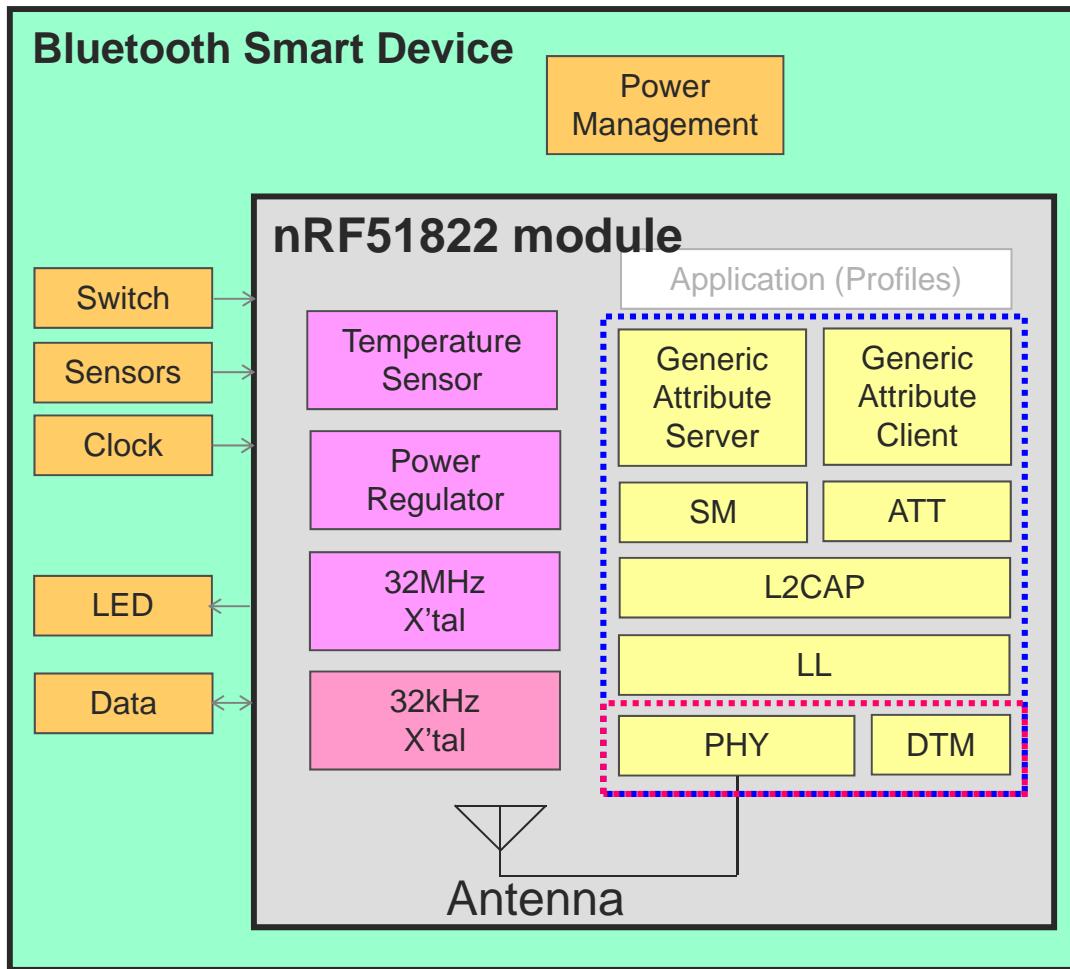
All specifications are subject to change without notice.

The Bluetooth® word mark and logos are owned by the Bluetooth SIG, Inc. and any use of such marks by TAIYO YUDEN CO., LTD. is under license.



TAIYO YUDEN

Application Layer image for **Basic Module**



- Alert Notification **Nordic SDK**
- Blood Pressure
- Cycling Speed and Cadence
- Glucose
- HID Mouse
- Heart Rate
- Phone Alert Status
- Proximity
- Running Speed and Cadence
- Time

Basic module will be written under GATT.

Software Device ❑

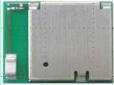


- GAP:** Generic Access Profile
- SM:** Security Manager
- ATT:** Attribute Protocol
- L2CAP:** Logical Link Control and Adaptation Protocol
- LL:** Link Layer
- PHY:** Physical Layer
- DTM:** Direct Test Mode

EYSFCNZXX
Basic Module

Bluetooth Smart[®] standard module

Name	Part No.	Software Support	TELEC	FCC, IC	BT Logo	Sample	EV-Board EV-kit	MP
Basic (Soft device) W/ Antenna	EYSFCNZXX	Nordic (Product key for Website)	Yes	Yes	Yes	Now	Now	Now

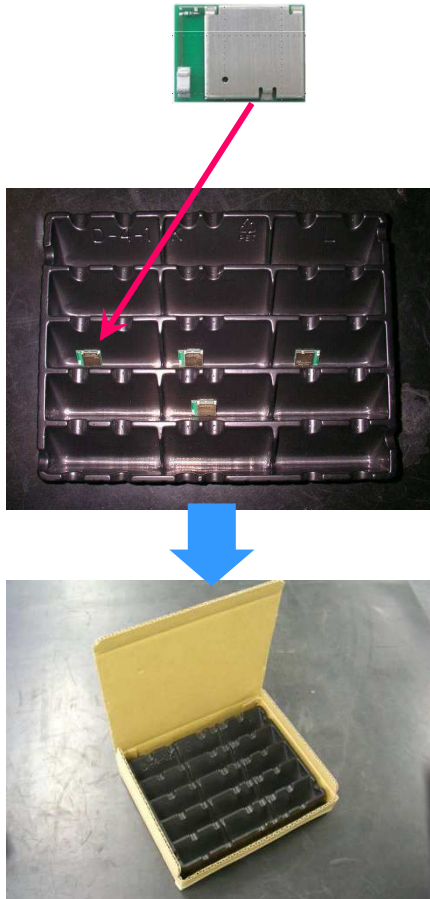
Evaluation Board and sample image

Item	Part #	Image	Attachment
Basic Module	EYSFCNZXX		<ul style="list-style-type: none"> • Doc (Data Report, EVB Manual) • Product key for Nordic site
Basic Module Evaluation Kit	EKSFCNZXX		<ul style="list-style-type: none"> • Doc (Data Report, EVB Manual) • Product key for Nordic site • TY EVB (EVB and Coin Battery) • Nordic DK (2 Boards, USB, Cables, Software)
Basic Module Evaluation Board	EBSFCNZXX		<ul style="list-style-type: none"> • Doc (Data Report, EVB Manual) • Product key for Nordic site • TY EVB (EVB and Coin Battery) • Distributor information for Nordic DK

EYSFCNZXX, EBSFCNZXX, EKSFCNZXX

EYSFCNZXX (Module)

Taiyo Yuden Module



EBSFCNZXX (EV-Board)

Taiyo Yuden Evaluation board



EKSFCNZXX (EV-Kit)

Taiyo Yuden Evaluation board



Nordic nRF51822-DK



TAIYO YUDEN

TAIYO YUDEN